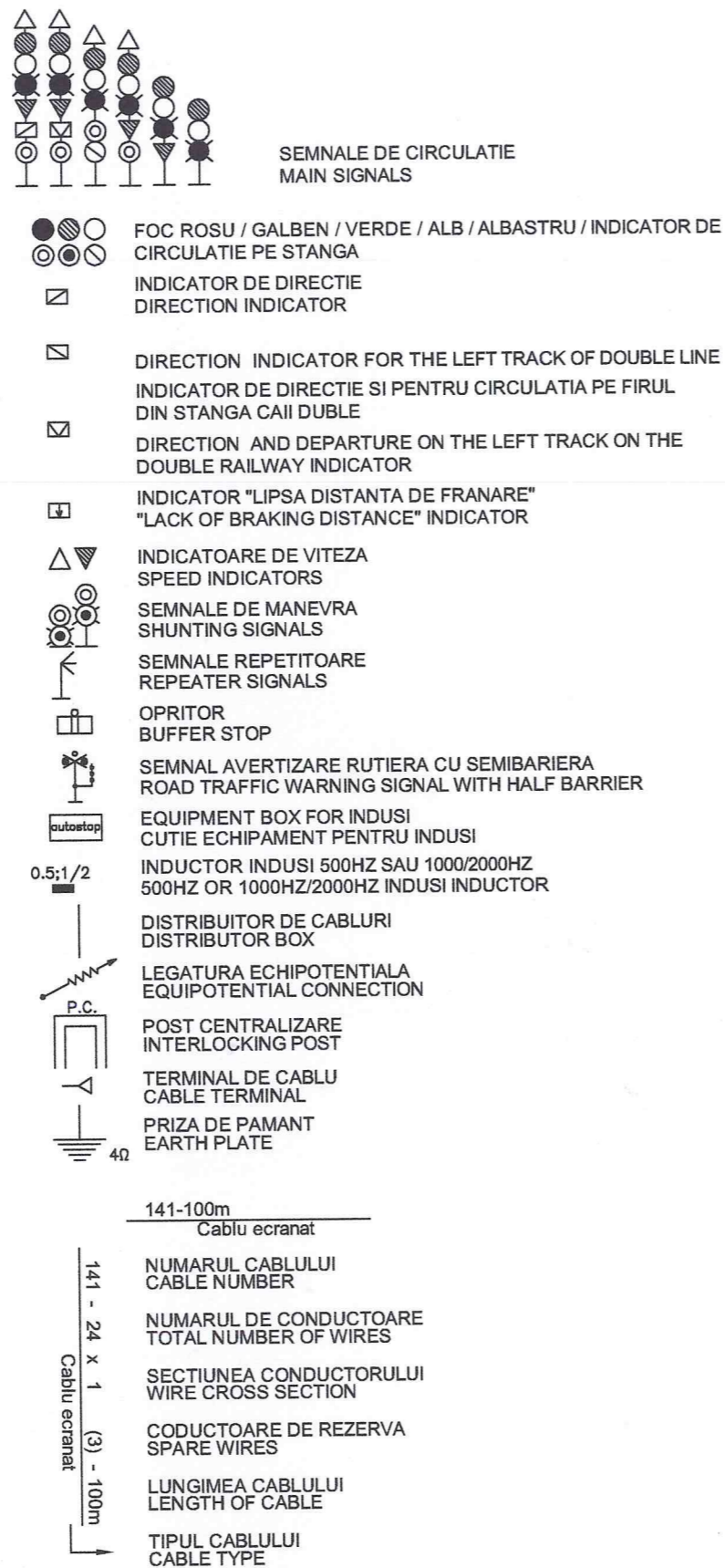
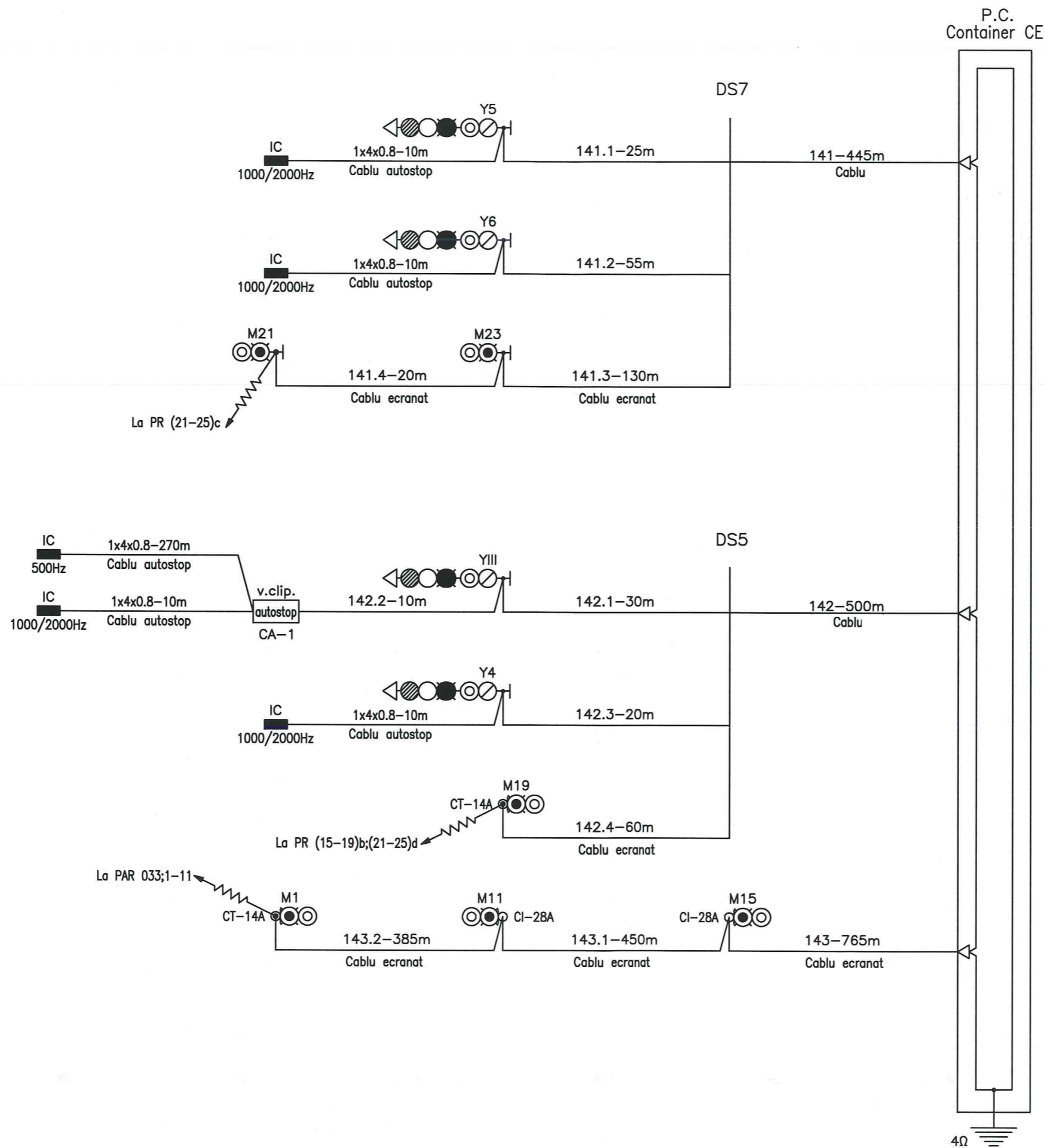


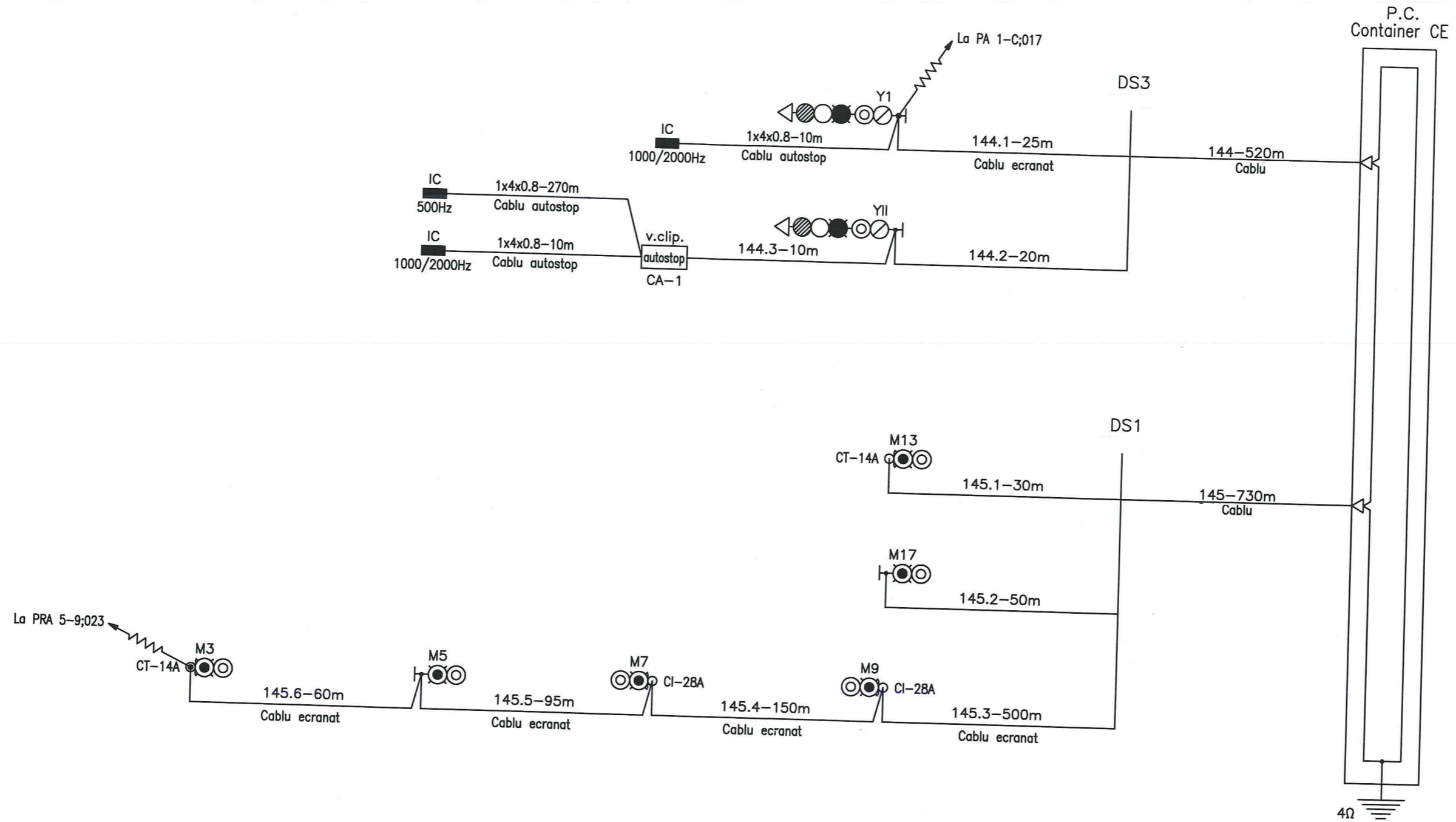
LEGENDA
LEGEND



Indice Index	Data Date	Descriere Description	Semnatura Signature	Semnatura Signature	Semnatura Signature	Semnatura Signature
Modificare / Revision	E					
	D					
	C					
	B					
	A					
PROIECTANT / DESIGNER:				Data / Date	Semnatura Signature	
Aprobat Approved	Sef de echipa Team leader	C. Teodorescu	01.2013			
Verificat Checked	Expert Cheie Key Expert	R. Trommer	01.2013			
Subcontractant / Subcontractor						
Aprobat Approved	Adjunct Sef de echipa Deputy Team leader	A.M. Baicu	01.2013			
Proiectat Designed	Inginer Engineer	A. Sopov	01.2013			
"Reabilitarea liniei c.f. Frontieră - Curtici - Simeria, parte componentă a coridorului IV Pan - European pentru circulația trenurilor cu viteză maximă de 160 km/h" Tronsonul 3 : Gurasada - Simeria "Rehabilitation of the Railway Line Border - Curtici - Simeria, component Part of the IV Pan - European Corridor for the Trains Circulation with maximum speed of 160 km/h" Section 3 : Gurasada - Simeria					Project 9i 35311.1 Faza / Phase: PTh +CS / TD + TS	
Denumire desen / Drawing Title : Plan cablaj semnale - Statia DEVA / DEVA station - Cable sketch for signals						
Scara / Scale		Revizia / Revision	Cod desen / Drawing Code		Nr / No	
		1/16.05.2013	PT.03.04.26.SM.011		01/07	



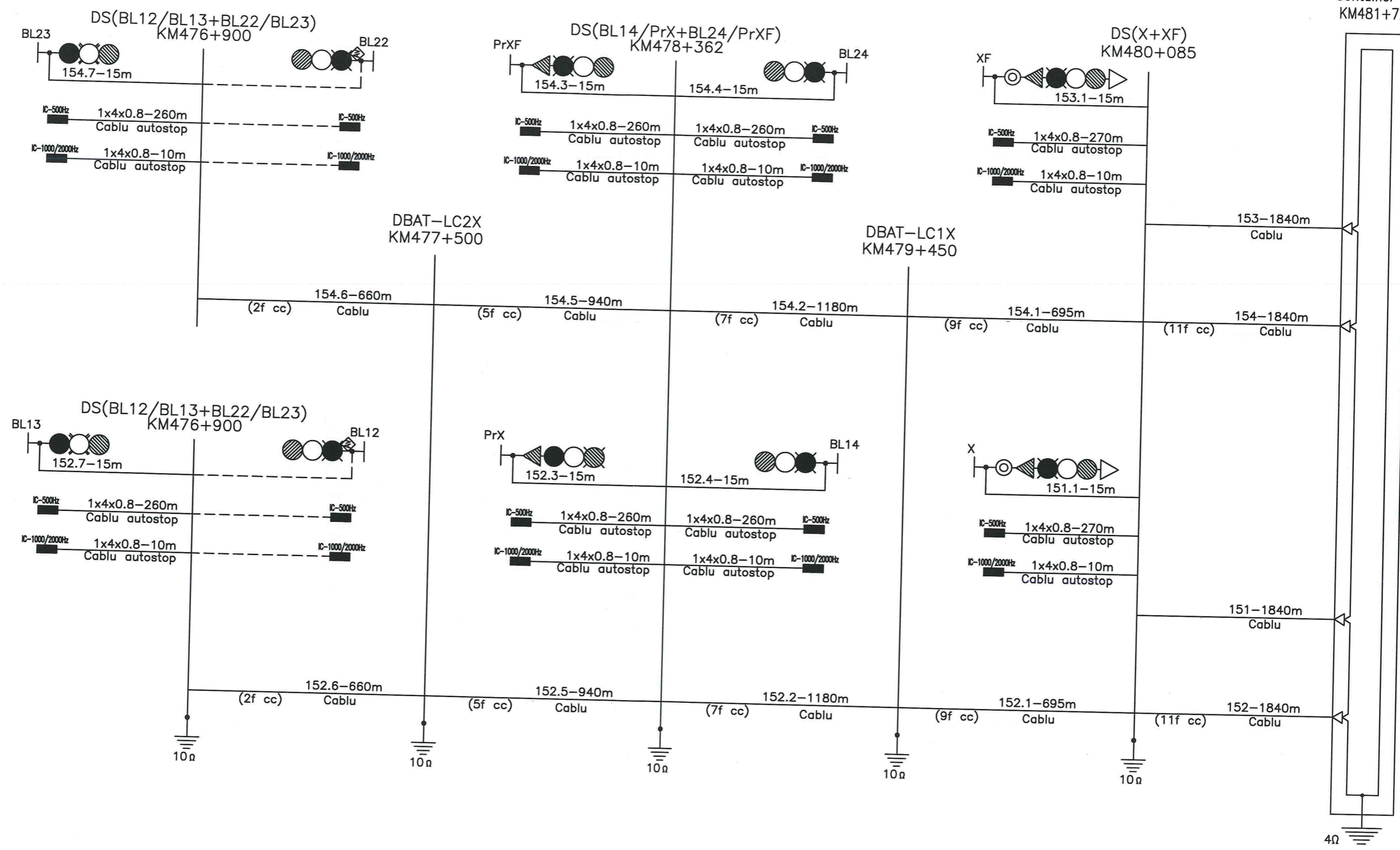
Cable sketch for signals
end X track 1:
141;142;143
Plan de cablaj al semnalelor
cap X firul 1:
141;142;143



DEVA station
Statia DEVA

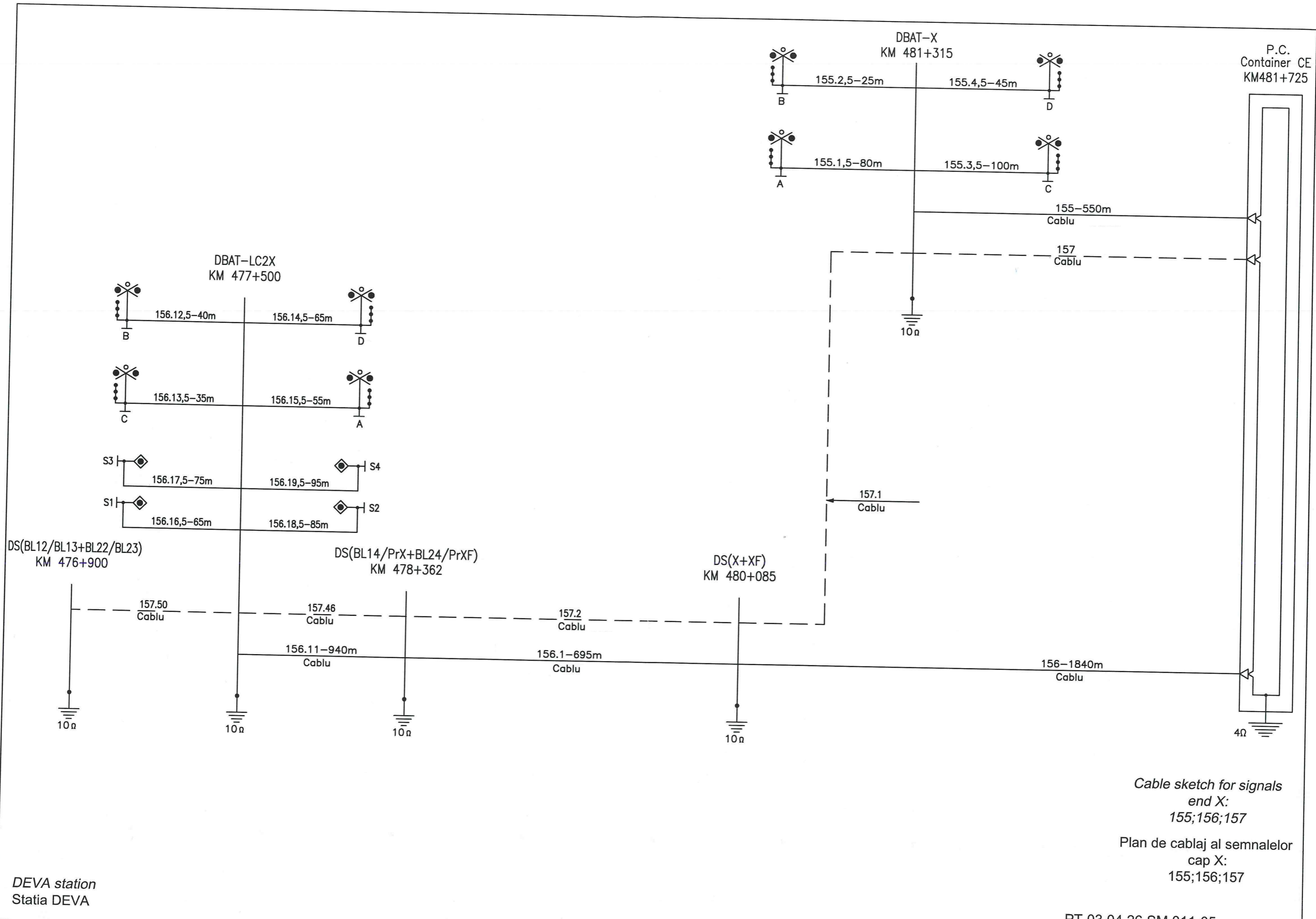
Cable sketch for signals
end X track 2:
144;145

Plan de cablaj al semnalelor
cap X firul 2:
144;145



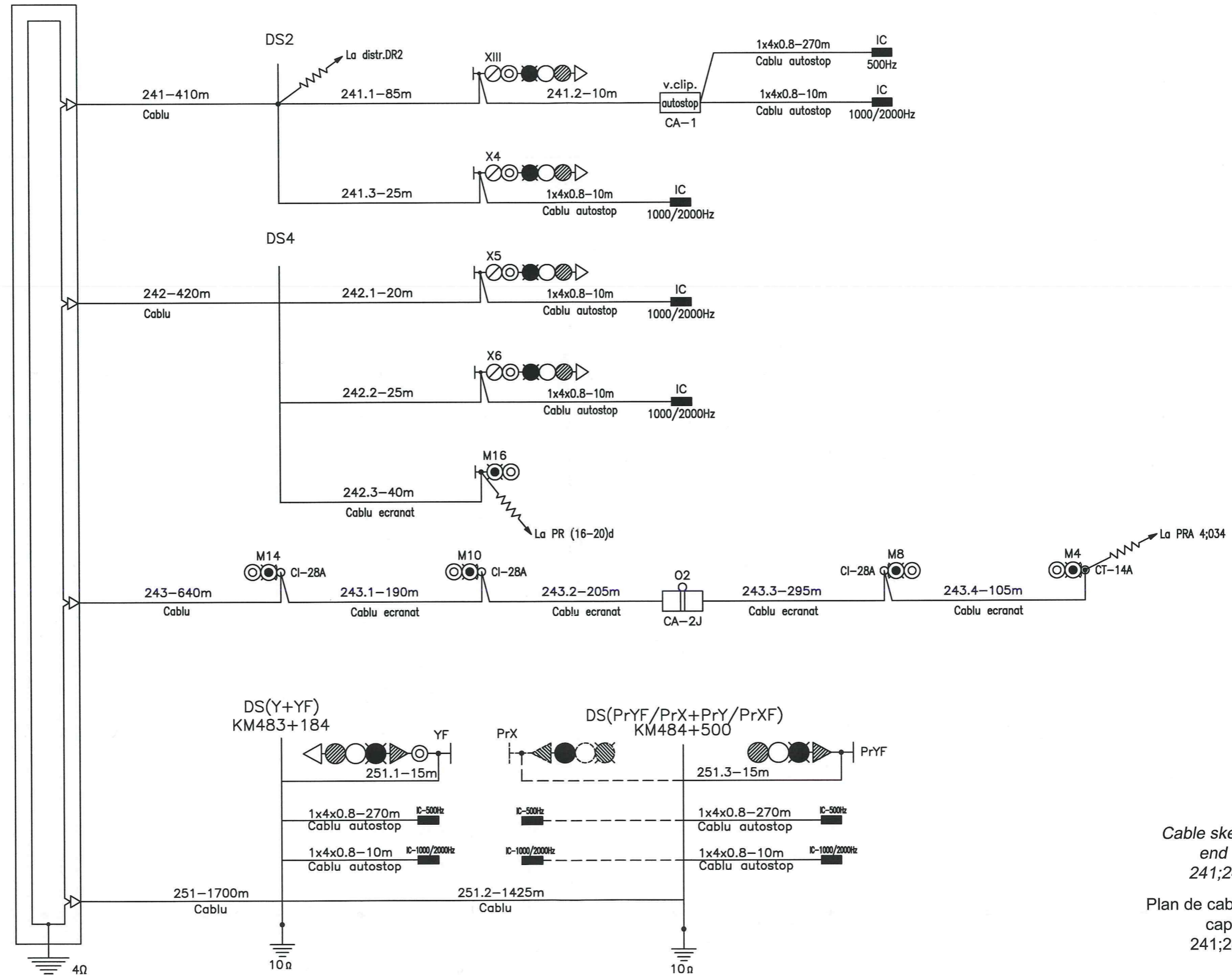
Cable sketch for signals
end X track 1si2:
151;152;153;154
Plan de cablaj al semnalelor
cap X firul 1si2:
151;152;153;154

DEVA station
Statia DEVA

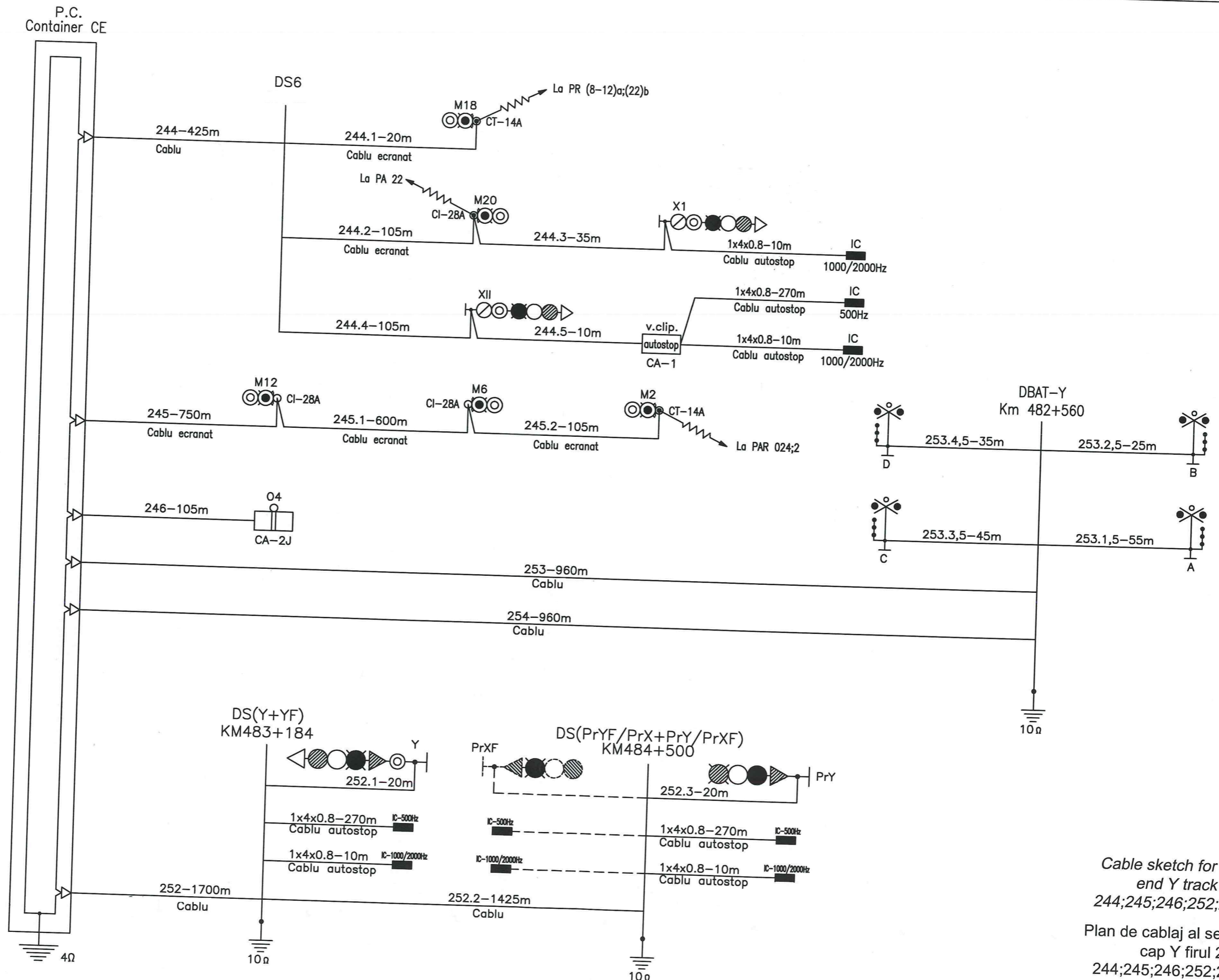


Cable sketch for signals
end X:
155;156;157
Plan de cablaj al semnalelor
cap X:
155;156;157

P.C.
Container CE



Cable sketch for signals
end Y track 1:
241;242;243;251
Plan de cablaj al semnalelor
cap Y firul 1:
241;242;243;251



DEVA station
Statia DEVA

Cable sketch for signals
end Y track 2:
244;245;246;252;253;254
Plan de cablaj al semnalelor
cap Y firul 2:
244;245;246;252;253;254